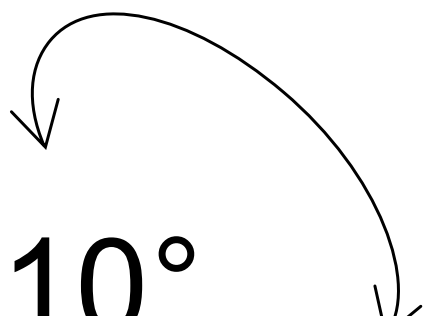
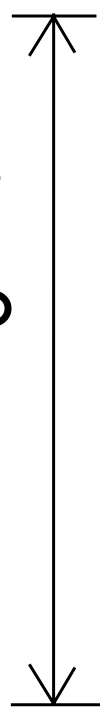


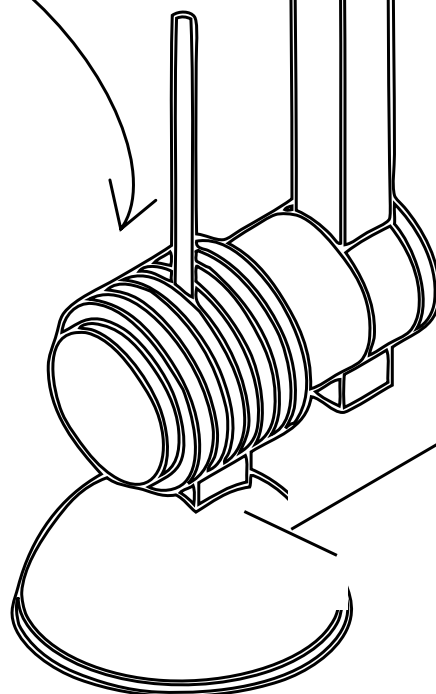
360°

A



310°

Ø 30 mm



57 mm